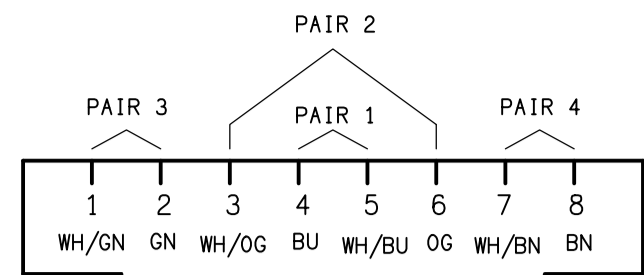
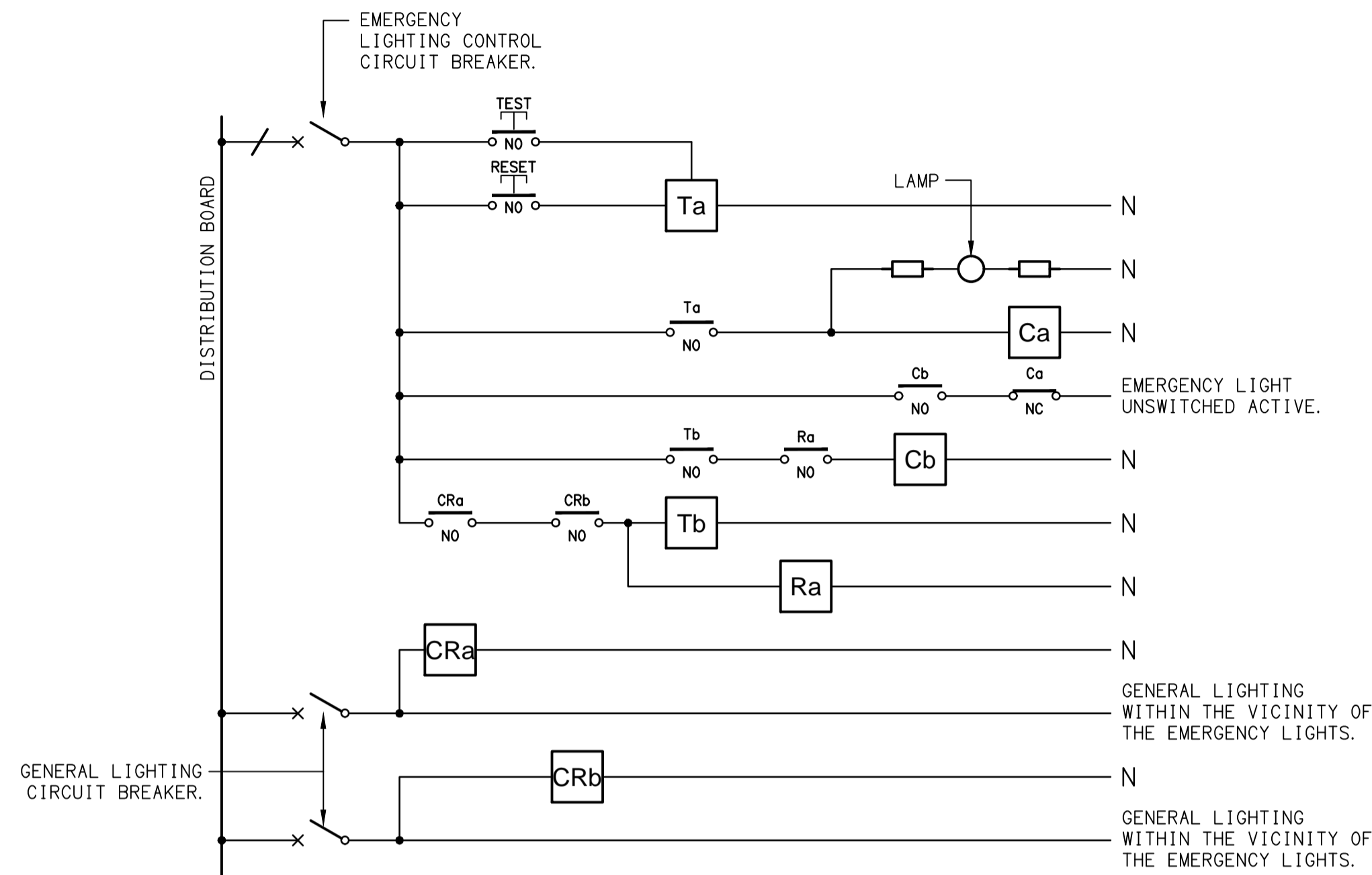


**EQUIPMENT:**

- TEST - TEST PUSH BUTTON MOUNTED ON THE DISTRIBUTION BOARD ESCUTCHEON.
- RESET - RESET PUSH BUTTON MOUNTED ON THE DISTRIBUTION BOARD ESCUTCHEON.
- LAMP - AMBER TEST INDICATING LAMP MOUNTED ON THE DISTRIBUTION BOARD ESCUTCHEON.
- To - ADJUSTABLE 0-3 HOUR TIMED RELAY.
- Tb - 15 MINUTE RUN-ON TIMER TO OPERATE UPON THE RETURN OF MAINS POWER.
- Cx - CONTACTOR x.
- CRx - CONTROL RELAY x.
- Rx - RELAY x.



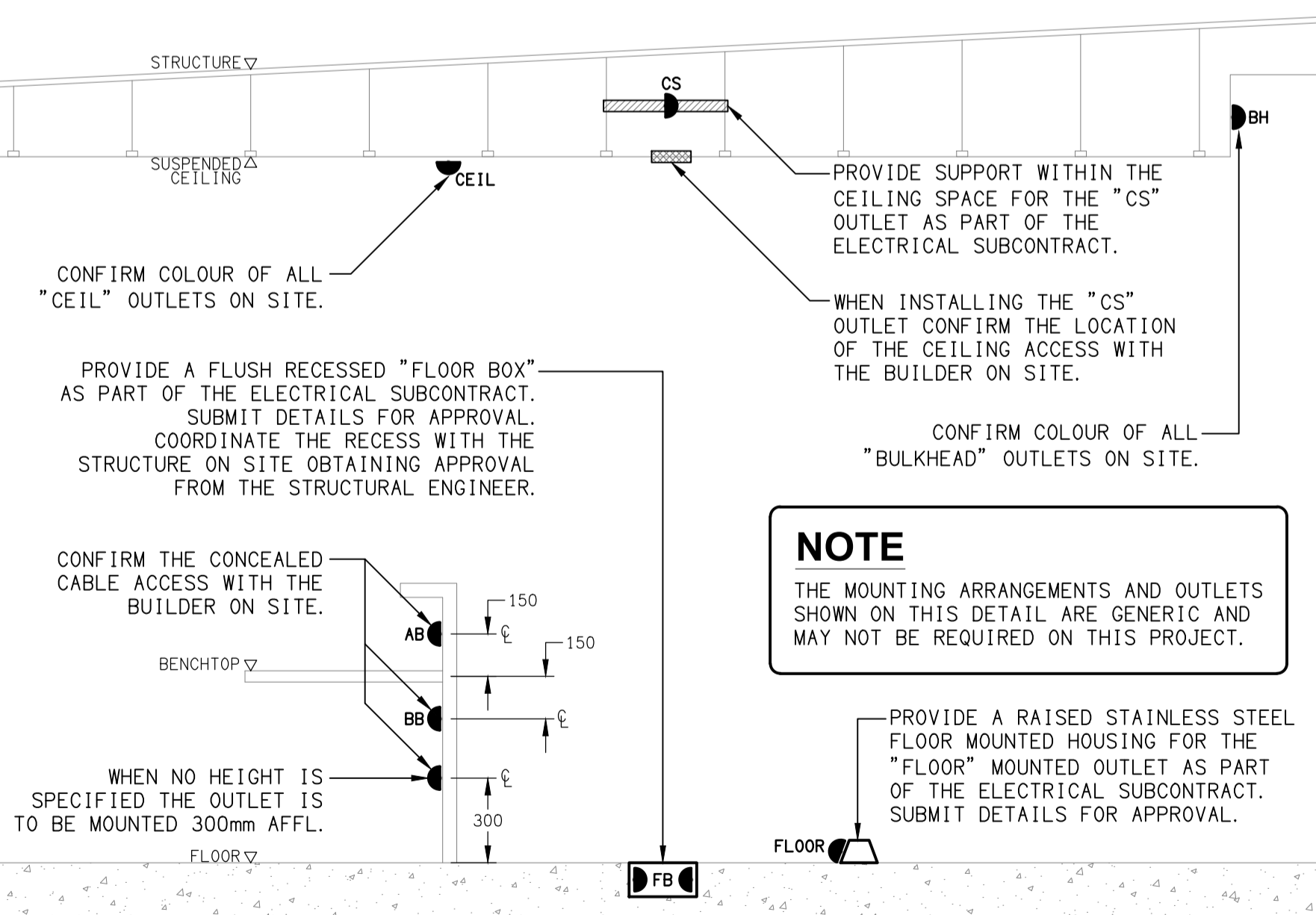
**SCHEMATIC**  
RJ45 PINOUT CONFIGURATION  
NOT TO SCALE



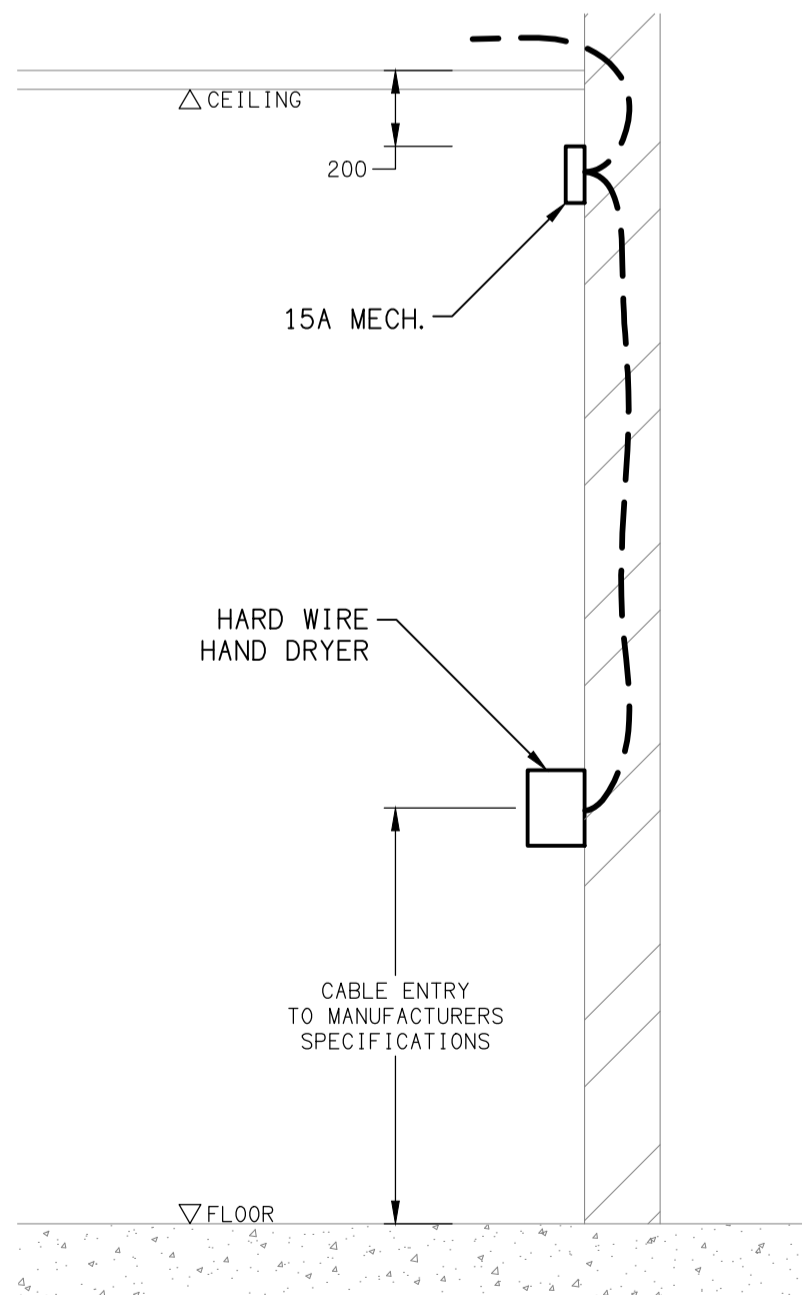
**SCHEMATIC**  
EMERGENCY LIGHTING  
NOT TO SCALE

**NOTES**

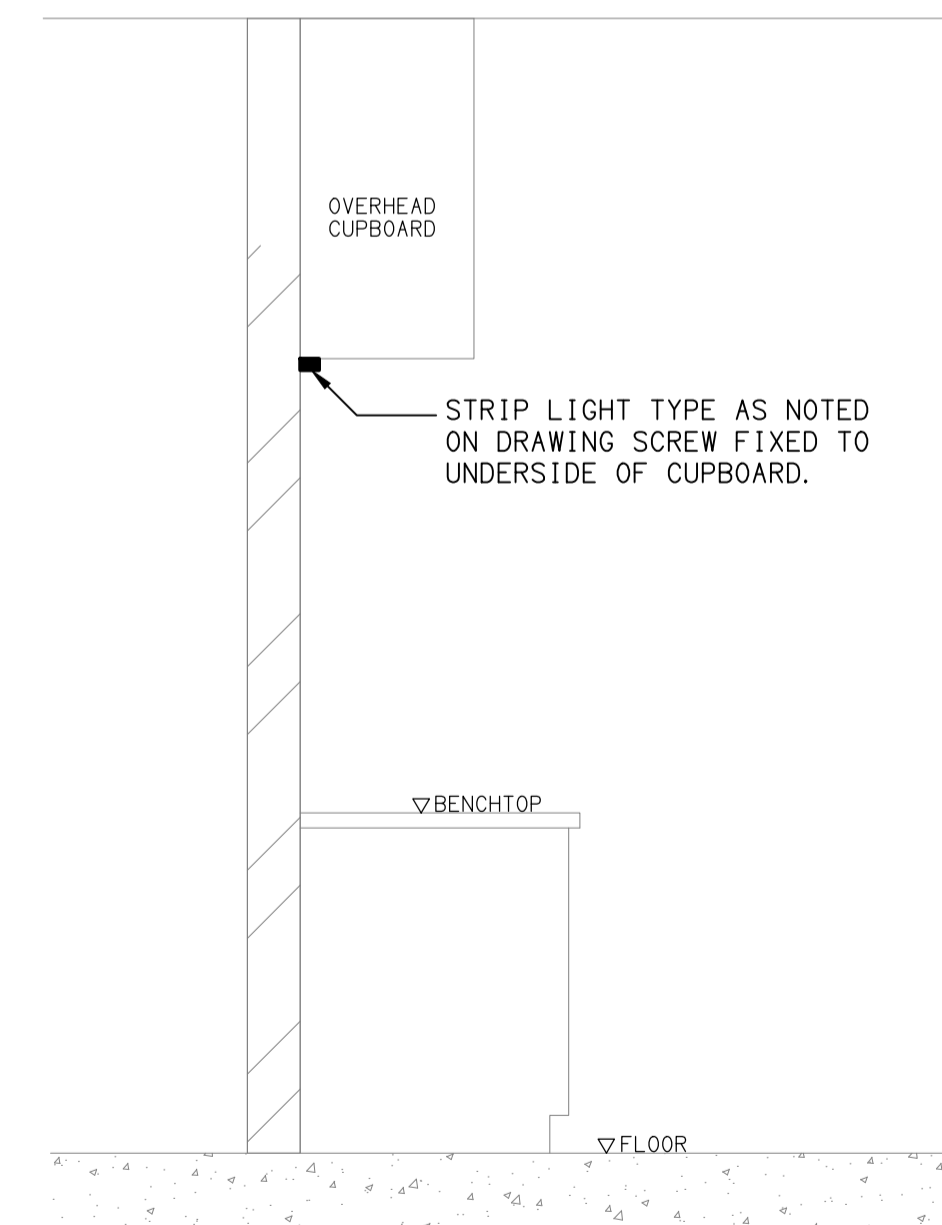
- THE EMERGENCY LIGHT UNSWITCHED ACTIVE / GENERAL LIGHTING SWITCHED ACTIVE CIRCUIT ARRANGEMENT AND CONTROL IS TYPICAL FOR ALL CIRCUITS SUPPLYING EMERGENCY LIGHTS.
- PROVIDE ADDITIONAL CONTROL RELAYS (CRx) CONFIGURED AS PER CRa AND CRb FOR ALL ADDITIONAL LIGHTING CIRCUITS THAT SUPPLY LIGHTS IN THE VICINITY OF THE EMERGENCY LIGHTS.



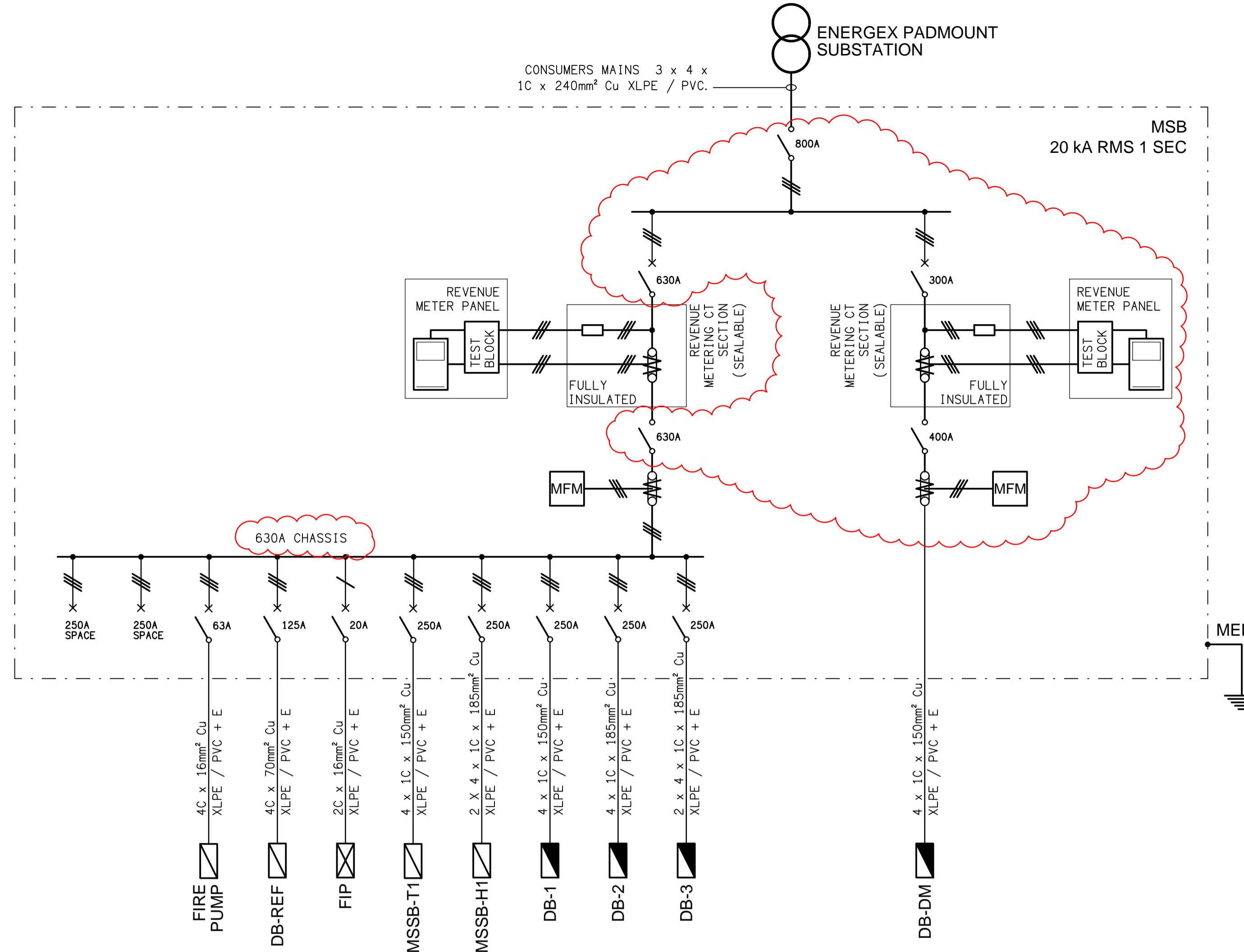
**DETAIL**  
TYPICAL OUTLET MOUNTINGS  
NOT TO SCALE



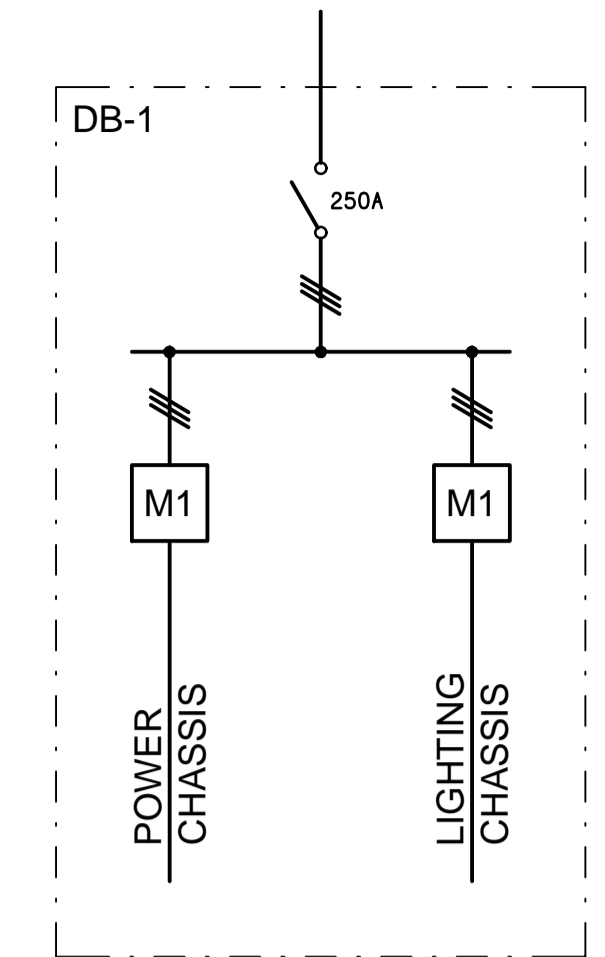
**DETAIL**  
HAND DRYER CONNECTION  
NOT TO SCALE



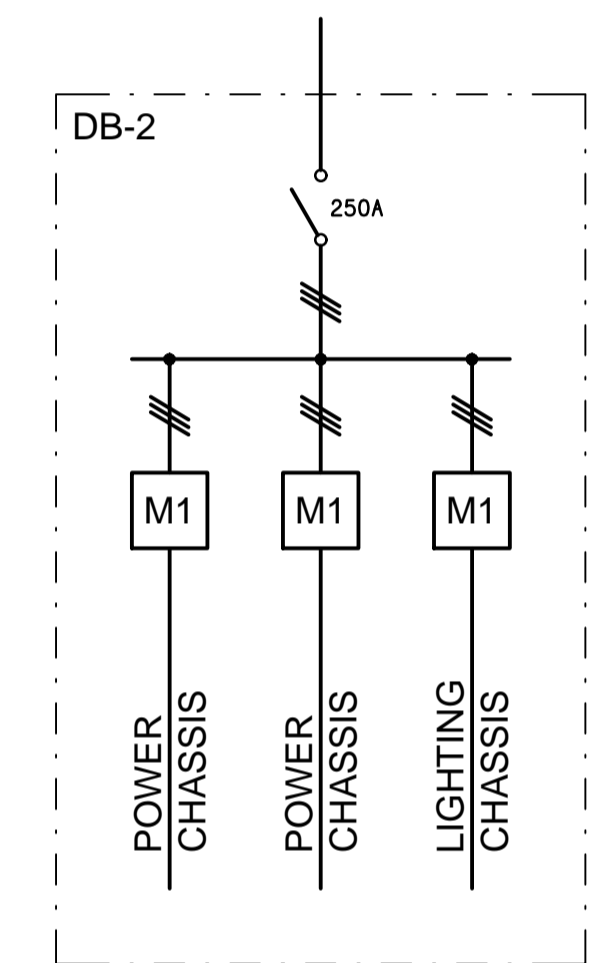
**DETAIL**  
"L" TYPE STRIP LIGHT MOUNTING  
NOT TO SCALE



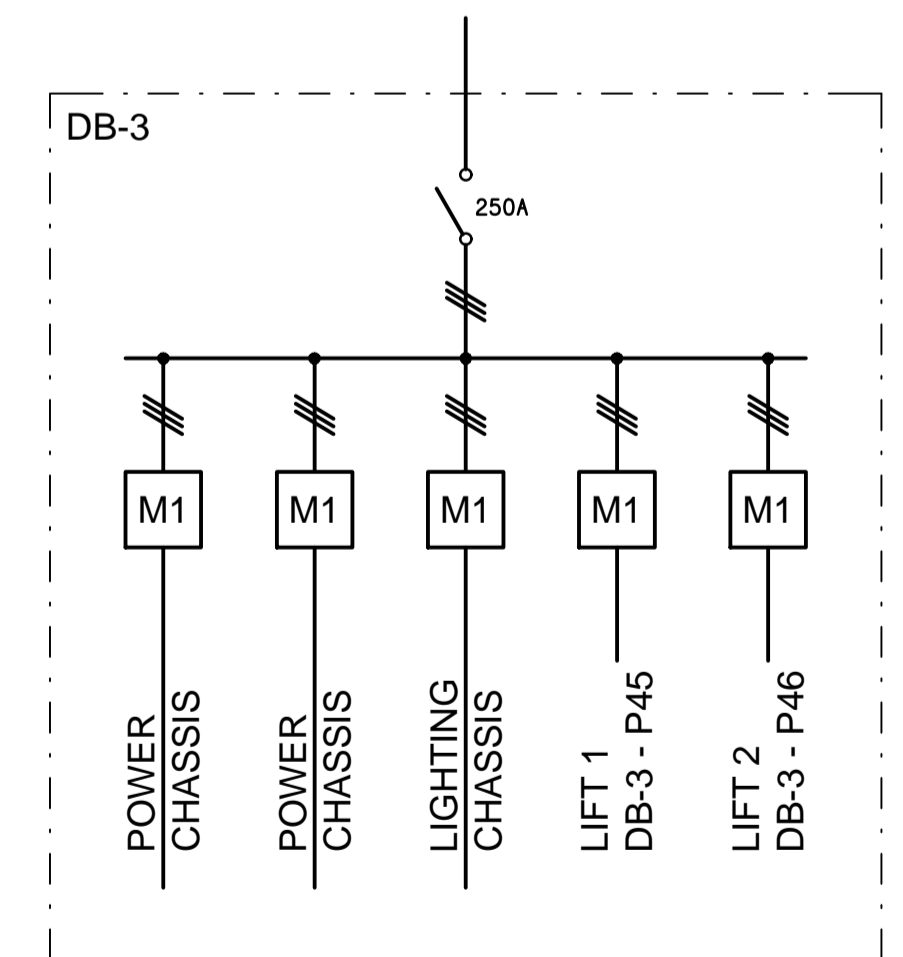
**SCHEMATIC**  
MAIN SWITCHBOARD CONFIGURATION  
NOT TO SCALE



**SCHEMATIC**  
DB-1 CONFIGURATION  
NOT TO SCALE



**SCHEMATIC**  
DB-2 CONFIGURATION  
NOT TO SCALE



**SCHEMATIC**  
DB-3 CONFIGURATION  
NOT TO SCALE